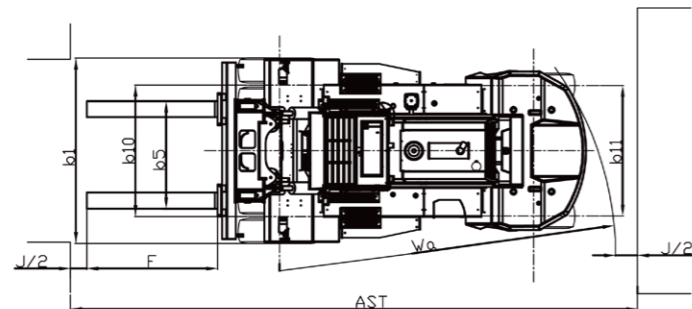
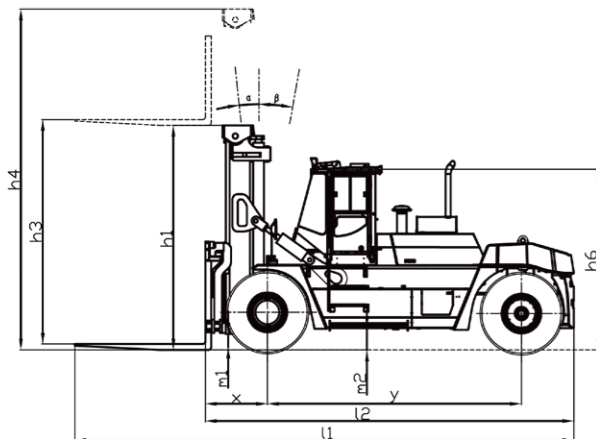
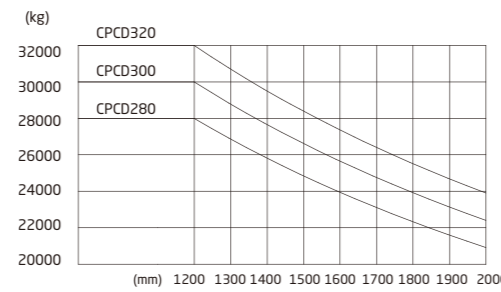


Heavy IC Forklift Truck

		HANGCHA GROUP CO.,LTD.							
		CPCD280-W36	CPCD280-W50	CPCD300-W36	CPCD300-W50	CPCD320-W36	CPCD320-W50		
Distinguishing mark	1.1 Manufacturer	HANGCHA GROUP CO.,LTD.							
	1.2 Manufacturer's type designation	CPCD280-W36	CPCD280-W50	CPCD300-W36	CPCD300-W50	CPCD320-W36	CPCD320-W50		
Performance Data	1.3 Drive: electric (battery or mains), diesel, petrol, fuel gas	Diesel	Diesel	Diesel	Diesel	Diesel	Diesel		
	1.4 Operator type: hand, pedestrian, standing, seated, order-picker	Seated	Seated	Seated	Seated	Seated	Seated		
	1.5 Rated capacity/rated load	Q (kg)	28000	28000	30000	30000	32000	32000	
	1.6 Load centre distance	c (mm)	1200	1200	1200	1200	1200	1200	
	1.8 Load distance, centre of drive axle to fork	x (mm)	1160	1160	1160	1160	1160	1160	
	1.9 Wheelbase	y (mm)	4750	4750	4750	4750	4750	4750	
	Weight	2.1 Service Weight	kg	40000	40000	42000	42000	43500	43500
	Types, chassis	3.2 Tyre size, front	16.00-25-32PR	16.00-25-32PR	16.00-25-32PR	16.00-25-32PR	16.00-25-32PR	16.00-25-32PR	
		3.3 Tyre size, rear	16.00-25-32PR	16.00-25-32PR	16.00-25-32PR	16.00-25-32PR	16.00-25-32PR	16.00-25-32PR	
3.5 Wheels, number front / rear (x = driven wheels)		4x/2	4x/2	4x/2	4x/2	4x/2	4x/2		
3.6 Tread, front		b10 (mm)	2460	2460	2460	2460	2460	2460	
3.7 Tread, rear		b11 (mm)	2440	2440	2440	2440	2440	2440	
4.1 Tilt of mast/fork carriage forward/backward		a/β(°)	6°/10°	6°/10°	6°/10°	6°/10°	6°/10°	6°/10°	
4.2 Height, mast lowered		h1 (mm)	4200	4200	4200	4200	4200	4200	
Dimensions	4.3 Free lift	h2 (mm)	0	0	0	0	0		
	4.4 Lift	h3 (mm)	4000	4000	4000	4000	4000		
	4.5 Height, mast extended	h4 (mm)	6200	6200	6200	6200	6200		
	4.7 Height of cabin	h6 (mm)	3550	3550	3550	3550	3550		
	4.19 Overall length	l1 (mm)	9330	9330	9330	9330	9330		
	4.20 Length to face of forks	l2 (mm)	6890	6890	6890	6890	6890		
	4.21 Overall width	b1 (mm)	3420	3420	3420	3420	3420		
	4.22 Fork dimensions ISO 2331	s/e/l (mm)	2440×300×110	2440×300×110	2440×300×110	2440×300×110	2440×300×110		
	4.25 Distance between fork-arms	bs (mm)	1000/3000	1000/3000	1000/3000	1000/3000	1000/3000		
	4.31 Ground clearance, laden, below mast	m1 (mm)	300	300	300	300	300		
	4.32 Ground clearance, centre of wheelbase	m2 (mm)	450	450	450	450	450		
	4.35 Turning radius	Wa (mm)	6600	6600	6600	6600	6600		
	Performance Data	5.1 Travel speed, laden/unladen	km/h	22/25	22/25	22/25	22/25	22/25	
5.2 Lift speed, laden/unladen		m/s	0.27/0.30	0.27/0.30	0.26/0.29	0.26/0.29	0.26/0.29		
5.5 Drawbar pull, laden/unladen		N	220000/-	220000/-	220000/-	220000/-	220000/-		
5.7 Gradeability, laden/unladen		%	20/-	20/-	20/-	20/-	20/-		
5.10 Service brake		Wet disc brake system							
Parking brake		Spring Applied,Hydraulic release multidisc brake							
Combustion-engine		7.1 Engine manufacturer/type	CUMMINS/Q5CB.3	CUMMINS/Q5L9	CUMMINS/Q5CB.3	CUMMINS/Q5L9	CUMMINS/Q5CB.3	CUMMINS/Q5L9	
	Emission STD	StageIIA/Tier3	StageIIIB/Tier4i	StageIIIA/Tier3	StageIIIB/Tier4i	StageIIIA/Tier3	StageIIIB/Tier4i		
	7.2 Engine power according to DIN ISO 1585	kw	179	186	179	186	179		
	7.3 Rated speed	min	2200	2200	2200	2200	2200		
	7.4 Number of cylinders/displacement	(l) / (cm³)	6/8300	6/8900	6/8300	6/8900	6/8300		
	7.10 Battery voltage/nominal capacity	V/Ah	2×12/150	2×12/150	2×12/150	2×12/150	2×12/150		
	Rated torque	Nm/r/min	1085/1500	1085/1500	1085/1500	1085/1500	1085/1500		
Bore x stroke	mm	114×135	114×145	114×135	114×145	114×135			



28-32t Forklift Mast Specification

Type	Max. fork height			Overall height						Tilt range			Load capacity		
				Lowered			Extended			FWD/RWD			L.C.@1200mm		
	mm	mm	mm	mm	mm	mm	mm	mm	mm	(°)	(°)	(°)	kg	kg	kg
Wide view mast	28t	30t	32t	28t	30t	32t	28t	30t	32t	28t	30t	32t	28t	30t	32t
	3600	3600	3600	4000	4000	4000	5790	5790	5790	6/10	6/10	6/10	28000	30000	32000
	4000	4000	4000	4200	4200	4200	6190	6190	6190	6/10	6/10	6/10	28000	30000	32000
	4300	4300	4300	4350	4350	4350	6490	6490	6490	6/10	6/10	6/10	28000	30000	32000
	4500	4500	4500	4450	4450	4450	6690	6690	6690	6/10	6/10	6/10	28000	30000	32000
	4800	4800	4800	4600	4600	4600	6990	6990	6990	6/10	6/10	6/10	28000	30000	32000
	5000	5000	5000	4750	4750	4750	7240	7240	7240	6/10	6/10	6/10	28000	30000	32000
	5500	5500	5500	5000	5000	5000	7740	7740	7740	3/6	3/6	3/6	27000	29000	31000
	6000	6000	6000	5300	5300	5300	8290	8290	8290	3/6	3/6	3/6	26000	28000	30000
	6500	6500	6500	5550	5550	5550	8790	8790	8790	3/6	3/6	3/6	25000	26500	28500
7000	7000	7000	5850	5850	5850	9340	9340	9340	3/6	3/6	3/6	23500	24500	26500	



Heavy IC Forklift Truck

with capacities of 28,000 to 32,000kg

The World of Hangcha



Heavy IC Forklift Truck

Environment/
Efficiency/
Economy



Power System

/ Cummins QSC8.3 supercharged engine, Emissions comply with EPA 3 and EU III requirements; High performance, low energy consumption, low speed with high torque, great power reserves. And the engine is equipped with big dimension radiator and suction fan, it reduce the temperature of inlet air and ensure the reliability of cooling system. Using the special peripheral accessories recommended by Cummins, ensure the normal use and maintenance of the engine.

Transmission System

/ ZF micro controller with 3 stage power-shifts to make sure the high reliability. Using the most advanced TCU microelectronic control transmission proportional control valve to achieve uninterrupted power output and automatic transmission, no need the driver manual shift operation. Fault display and convenient diagnostic socket, greatly simplifying maintenance and repairs. German Kessler heavy load drive axle, with two stage speed adjust, multi-disc wet service brake system, is fully enclosed system with maintenance free.

Hydraulic System

/ International famous brand hydraulic valve, the main hydraulic pump, the guide handle. Load sensing hydraulic system, reduce the continuous load of engine; Remote hydraulic control and electric control are simple and convenient. Multiple hydraulic testing points simplify the maintenance work.

Mast

/ Widened duplex mast, reinforced frame, broad vision; Dual valves limit the speed, better security. Sideshifter is the standard configuration.

Brake System

/ Poclain hydraulic power brake, wet multi-disc service braking and spring action, caliper disc parking brake system with forced cooling by oil, is safe and reliable.

Steering System

/ Single transverse arranged cylinder of steering axle has dual function, full hydraulic power steering, steering has priority, with load sensing function, for easy operation.

Electrical System

/ Implement the latest international, national and industry standards. The OPS using the seat, and to improve driving safety and norms. The use of advanced CAN bus communication system, high reliability, good anti-jamming; The CAN controller collect information of engine, transmission, all types of sensors, pressure switches and faults, and operator can view various information intuitively from the high-performance colored LCD.

Cabin

/ Integral full suspension tilting cabin, connected with the frame through damping rubber, which can shield most of vibration and noise. The tilted cabin which configured wide vision, suspension seat, electric control and hydraulic control joystick, is simple and easy for operation and maintenance. It provides large space for drivers legs.

Standard

- / Handle
- / Bracket of lamp
- / Air condition
- / Cabin
- / Pin
- / Fork positioner side shift
- / Hand lamp
- / Horn
- / Mirror
- / Tool box
- / Standard fork
- / Standard seat
- / Buzzer
- / Front combination lamp
- / Rear combination lamp
- / Neutral switch
- / Wide view mast
- / Gauge of hydraulic level
- / 4 Sec. multi-way valve
- / Radiator
- / Pattern oil-resistant tyres
- / Fuel dipstick
- / Full hydraulic power steering
- / Self-lock valve
- / Rubber pedal pad
- / LCD (Variable system)
- / Limit lift speed valve
- / Air cleaner
- / Lift and tilt lever
- / OPS
- / Warning lamp

Options

- / Customer painting
- / Working lamp
- / Other dimension fork
- / Rear-view camera
- / Reverse sensor



Rema tiller head



Auxiliary wheels are equipped to have better stability



Modern outline design



Tandem load wheel