



## A Series 3-Wheel Stand-Up Counterbalanced Lift Truck

with capacity of 3,000 to 5,000lbs

*The World of Hangcha*



**Tough  
Reliable  
Smart**



## Appearance

/ The A Series 3-Wheel Stand-Up Counterbalanced Lift Truck is designed to stack and retrieve goods efficiently in narrow aisles and at high lift heights while still maintaining a lifting capacity of up to 5,000lbs. The exterior of this forklift is powder coated in a durable, easy to see, red finish.

## Comfort

- / The user operates this forklift while standing in a side stance.
- / The step is low for conveniently getting on and off the forklift.
- / An anti-fatigue floor mat and generous padding for knees, hips, and arms keep operators comfortable over long shifts.
- / The spacious operator compartment provides a comfortable work environment for the operator.

## High Performance

- / Thanks to the advanced front dual-drive AC motor, the traveling performance, maneuverability, and operating efficiency are greatly improved.
- / Hangcha's AC hydraulic system provides smooth load handling and precise load placements.
- / The electronic proportional multi-way valve reduces energy consumption.
- / Electric Power Steering provides precise steering control with minimal effort. It also does not encroach into the operator compartment.

## Safety

- / Cornering speed control automatically slows the forklift's travel speed while turning to help prevent damage to loads.
- / Operation is easy thanks to the foot-raising brake pedal.
- / The electronic parking brake greatly improves the safety of the truck and the operator.
- / With the pedal sensing system, the truck can be driven only if the operator stands on the pedal. If the operator takes their foot off the pedal, active braking is initiated to prevent an accident.



The wide view mast provides great visibility. The hydraulic cushioning feature provides confidence and smooth load handling while operating this forklift.



Ergonomic: The truck is designed for maximum operator comfort while traveling forward or backward in a side stance position. The back and elbow supporting cushions provide better support for the operator.



The battery side roll out is the standard configuration. The truck can also be adapted to both BCI and BS standard batteries.



The intuitive, multifunction control handle is centrally positioned for easy access. The handle offers simultaneous control of the drive, lift, lower, and auxiliary hydraulic functions.



## Standard Specification

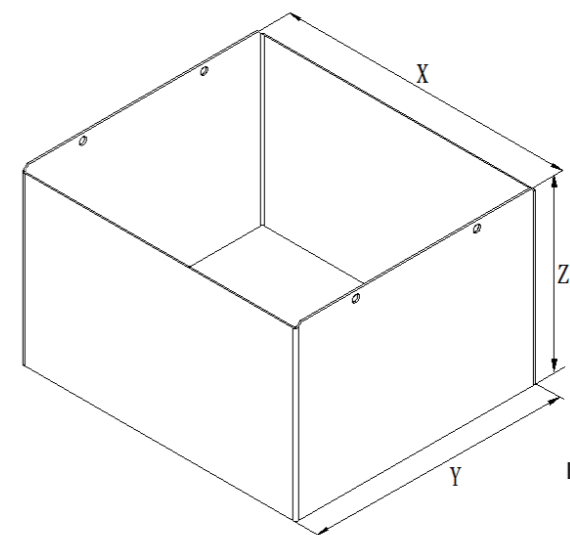
- / AC Dual Drive Motors
- / AC Pump Motor
- / Multiple Operation Modes
- / EPS System
- / Regenerative Braking
- / Electronic Parking Brake
- / Cornering Speed Control
- / OPS System
- / Shock-Absorption Pedal
- / Waist and Elbow Support Cushions
- / Multi-Functional Integrated Instrument Cluster
- / Smooth Cushion Tires
- / Emergency Cut-Off Switch
- / Integrated Operating Handle
- / Quadruple and Multi-Way Valve
- / 117" Wide View Mast
- / Electric Horn
- / Cup Holder and Clipboard
- / Low Noise Gear Pump
- / 36V BS Standard Battery
- / Soft Landing System
- / Battery Side Extraction

## Options

- / LED Work Lights
- / Strobe Light
- / Blue Safety Light
- / Sideshifter
- / Full Free-Lift Stage 2 Mast
- / Full Free-Lift Stage 3 Mast
- / Other Dimensions of Forks
- / Specialty Attachments
- / Widened Load Bracket and Fork Carriage
- / Lower Type Overhead Guard
- / Charger
- / Freezer
- / Password/Card Reading Access System
- / 12V Socket
- / USB Charging Output
- / Overhead Fan
- / Fire Extinguisher

## Battery Compartment Specification

| Model               |          | CPDS15-AC4S | CPDS15-ALC4S | CPDS18-AC4S | CPDS20-AC4S | CPDS23-AC4S |
|---------------------|----------|-------------|--------------|-------------|-------------|-------------|
| Voltage             | V        | 36          | 36           | 36          | 36          | 36          |
| Capacity            | Ah(5hr)  | 770         | 880          | 880         | 1100        | 1320        |
|                     | Ah(max)  | /           | /            | /           | /           | /           |
|                     | Ah(min)  | /           | /            | /           | /           | /           |
| Battery Compartment | "X" Max. | mm (in)     | 975(38.4)    | 975(38.4)   | 975(38.4)   | 975(38.4)   |
|                     | "Y" Max. | mm (in)     | 413(16.3)    | 460(18.1)   | 460(18.1)   | 535(21.1)   |
|                     | "Z" Max. | mm (in)     | 810(31.9)    | 810(31.9)   | 810(31.9)   | 810(31.9)   |
| Batt.Wt.            | Maximum  | Kg (lb)     | 1030(2270)   | 1202(2649)  | 1202(2649)  | 1393(3071)  |
|                     | Minimum  | Kg (lb)     | 903(1990)    | 1034(2279)  | 1034(2279)  | 1179(2599)  |



Battery compartment

# A Series 3-Wheel Stand-Up Counterbalanced Lift Truck Specification

| Distinguishing Marks | 1.1                                                             | Manufacturer (abbreviation) | HANGCHA GROUP CO.,LTD. |                |                |                |                |
|----------------------|-----------------------------------------------------------------|-----------------------------|------------------------|----------------|----------------|----------------|----------------|
|                      |                                                                 | HCFA Model                  | FBT15S                 | FBT15SL        | FBT18S         | FBT20S         | FBT23S         |
| 1.2                  | Manufacturers type designation                                  | CPDS15-AC4S                 | CPDS15-ALC4S           | CPDS18-AC4S    | CPDS20-AC4S    | CPDS23-AC4S    |                |
| 1.4                  | Operator type: hand, pedestrian, standing, seated, order-picker | stand up                    | stand up               | stand up       | stand up       | stand up       |                |
| 1.5                  | Load capacity/rated load                                        | Q (lbs)                     | 3000                   | 3000           | 3500           | 4000           | 5000           |
| 1.6                  | Load centre distance                                            | c (in)                      | 24                     | 24             | 24             | 24             | 24             |
| 1.8                  | Load distance, centre of drive axle to fork                     | x (in)                      | 12.6                   | 12.6           | 12.6           | 12.8           | 12.8           |
| 1.9                  | Wheelbase                                                       | y (in)                      | 43.2                   | 45.1           | 45.1           | 48             | 51.8           |
| 2.1                  | Service Weight                                                  | lbs                         | 8290                   | 8202           | 8643           | 9018           | 9900           |
| 2.2                  | Axle loading, laden front/rear                                  | lbs                         | 10386/904              | 10305/897      | 11171/972      | 11976/1042     | 13708/1192     |
| 2.3                  | Axle loading, unladen front/rear                                | lbs                         | 4310/3980              | 4265/3937      | 4494/4149      | 4689/4329      | 5148/4752      |
| 3.1                  | Tires                                                           |                             | Cushion                | Cushion        | Cushion        | Cushion        | Cushion        |
| 3.2                  | Tire size, front                                                |                             | 18×7-12.125            | 18×7-12.125    | 18×7-12.125    | 18×7-12.125    | 18×7-12.125    |
| 3.3                  | Tire size, rear                                                 |                             | 10×5-6.5               | 10×5-6.5       | 10×5-6.5       | 10×5-6.5       | 10×5-6.5       |
| 3.5                  | Wheels, number front rear (x = driven wheels)                   |                             | 2x/2                   | 2x/2           | 2x/2           | 2x/2           | 2x/2           |
| 3.6                  | Tread, front                                                    | b <sub>fo</sub> (in)        | 35.6                   | 35.6           | 35.6           | 35.6           | 35.6           |
| 3.7                  | Tread, rear                                                     | b <sub>ri</sub> (in)        | 6.6                    | 6.6            | 6.6            | 6.6            | 6.6            |
| 4.1                  | Tilt of mast/fork carriage forward/backward                     | Grad                        | 5/5                    | 5/5            | 5/5            | 5/5            | 5/5            |
| 4.2                  | Height, mast lowered                                            | h <sub>1</sub> (in)         | 78                     | 78             | 78             | 78             | 78             |
| 4.3                  | Free lift                                                       | h <sub>2</sub> (in)         | 6.3                    | 6.3            | 6.3            | 6.3            | 6.3            |
| 4.4                  | Lift                                                            | h <sub>3</sub> (in)         | 118                    | 118            | 118            | 118            | 118            |
| 4.5                  | Height, mast extended                                           | h <sub>4</sub> (in)         | 144                    | 144            | 144            | 144            | 144            |
| 4.7                  | Height of overhead guard                                        | h <sub>5</sub> (in)         | 87.8                   | 87.8           | 87.8           | 87.8           | 87.8           |
| 4.8                  | stand floor height                                              | h <sub>6</sub> (in)         | 8.6                    | 8.6            | 8.6            | 8.6            | 8.6            |
| 4.19                 | Overall length                                                  | l <sub>1</sub> (in)         | 102.1                  | 103.9          | 103.9          | 107            | 110.8          |
| 4.20                 | Length to face of forks                                         | l <sub>2</sub> (in)         | 65.8                   | 67.7           | 67.7           | 70.8           | 74.6           |
| 4.21                 | Overall width                                                   | b <sub>1</sub> (in)         | 42.6                   | 42.6           | 42.6           | 42.6           | 42.6           |
| 4.22                 | Fork dimensions                                                 | s/e/l (in)                  | 1.37/3.9/36.2          | 1.37/3.9/36.2  | 1.37/3.9/36.2  | 1.57/4.8/36.2  | 1.57/4.8/36.2  |
| 4.23                 | Fork carriage DIN 15 173 --- ISO 2328, class/type A,B           |                             | ISO2328 3A             | ISO2328 3A     | ISO2328 3A     | ISO2328 3A     | ISO2328 3A     |
| 4.24                 | Fork-carriage width                                             | b <sub>3</sub> (in)         | 39.4                   | 39.4           | 39.4           | 39.4           | 39.4           |
| 4.31                 | Ground clearance, laden, below mast                             | m <sub>1</sub> (in)         | 3.9                    | 3.9            | 3.9            | 3.9            | 3.9            |
| 4.32                 | Ground clearance, centre of wheelbase                           | m <sub>2</sub> (in)         | 3.8                    | 3.8            | 3.8            | 3.8            | 3.8            |
| 4.33                 | Aisle width for pallets 1000 x 1200 crossways                   | A <sub>st</sub> (in)        | 118.8                  | 120.6          | 120.6          | 123.8          | 127.6          |
| 4.34                 | Aisle width for pallets 800 x 1200 crossways                    | A <sub>st</sub> (in)        | 123.6                  | 125.4          | 125.4          | 128.6          | 132.4          |
| 4.35                 | Turning radius                                                  | W <sub>a</sub> (in)         | 53.8                   | 55.7           | 55.7           | 58.6           | 62.4           |
| 5.1                  | Travel speed, laden/unladen                                     | mph                         | 7.7/8                  | 7.7/8          | 7.7/8          | 7.7/8          | 7.7/8          |
| 5.2                  | Lift speed, laden/unladen                                       | fpm                         | 78/110                 | 78/110         | 68/110         | 62/110         | 59/110         |
| 5.3                  | Lowering speed, laden/unladen                                   | fpm                         | 93/83                  | 93/83          | 93/83          | 93/83          | 93/83          |
| 5.7                  | Gradeability, laden/unladen                                     | %                           | 15/15                  | 15/15          | 15/15          | 15/15          | 15/15          |
| 5.8                  | Max. gradeability, laden/unladen                                | %                           | 15/15                  | 15/15          | 15/15          | 15/15          | 15/15          |
| 5.9                  | Acceleration time, laden/unladen (0-10m)                        | s                           | 6.1/6                  | 6.1/6          | 6.1/6          | 6.1/6          | 6.1/6          |
| 5.10                 | Service brake                                                   |                             | electric               | electric       | electric       | electric       | electric       |
| 5.11                 | Parking brake                                                   |                             | electric               | electric       | electric       | electric       | electric       |
| 6.1                  | Drive motor rating S2 60 min                                    | kW                          | 4.2×2 AC               | 4.2×2 AC       | 4.2×2 AC       | 4.2×2 AC       | 4.2×2 AC       |
| 6.2                  | Lift motor rating at S3 15%                                     | kW                          | 10AC                   | 10AC           | 10AC           | 10AC           | 10AC           |
| 6.4                  | Battery voltage, nominal capacity K5                            | V/Ah                        | 36/770                 | 36/880         | 36/880         | 36/1100        | 36/1320        |
| 6.5                  | Battery weight                                                  | lbs                         | 2162                   | 2469           | 2469           | 2799           | 3414           |
| 6.6                  | Battery dimensions                                              | l/b/h(in)                   | 38.4×16.3×31.9         | 38.4×18.1×31.9 | 38.4×18.1×31.9 | 38.4×21.1×31.9 | 38.4×24.8×31.9 |
| 6.8                  | Min. battery weight                                             | lbs                         | 1990                   | 2279           | 2279           | 2599           | 2700           |
| 6.9                  | Max. battery weight                                             | lbs                         | 2270                   | 2649           | 2649           | 3071           | 3584           |
| 6.10                 | Battery roller height                                           | in                          | 6.8                    | 6.8            | 6.8            | 6.8            | 6.8            |
| 8.1                  | Manufacturer of controller                                      |                             | CURTIS                 | CURTIS         | CURTIS         | CURTIS         | CURTIS         |
| 8.2                  | Oil volume for attachments                                      | l/min                       | 20                     | 20             | 20             | 20             | 20             |
| 8.3                  | Sound level at the driver's ear according to EN / DIN 12 053    | dB (A)                      | 63                     | 63             | 63             | 63             | 63             |

# 3,000-5,000lb Mast:

| Type                        | Model | Lifting height | Lowered height | Overall height |                  | Free lifting height |                  | Tilting range |          | Capacity                |           |         |         |         |
|-----------------------------|-------|----------------|----------------|----------------|------------------|---------------------|------------------|---------------|----------|-------------------------|-----------|---------|---------|---------|
|                             |       |                |                | With backrest  | Without backrest | With backrest       | Without backrest | Forward       | Backward | Load center @ 24 inches |           |         |         |         |
|                             |       | in             | in             | in             | in               | in                  | in               | deg           | deg      | 3000lbs                 | 3000lbs L | 3500lbs | 4000lbs | 5000lbs |
| Wide View Mast              | M270  | 106            | 72             | 144            | 127              | 6.3                 | 6.3              | 5             | 5        | 3000                    | 3000      | 3500    | 4000    | 5000    |
|                             | M300  | 118            | 78             | 156            | 139              | 6.3                 | 6.3              | 5             | 5        | 3000                    | 3000      | 3500    | 4000    | 5000    |
|                             | M330  | 130            | 84             | 168            | 151              | 6.3                 | 6.3              | 5             | 5        | 3000                    | 3000      | 3500    | 4000    | 5000    |
|                             | M360  | 142            | 92             | 179            | 163              | 6.3                 | 6.3              | 5             | 5        | 3000                    | 3000      | 3500    | 4000    | 5000    |
|                             | M400  | 157            | 102            | 195            | 179              | 6.3                 | 6.3              | 5             | 5        | 3000                    | 3000      | 3500    | 4000    | 5000    |
|                             | M430  | 169            | 107            | 207            | 190              | 6.3                 | 6.3              | 3.5           | 5        | 3000                    | 3000      | 3500    | 4000    | 5000    |
| Full Free-Lift Stage 2 Mast | U270  | 106            | 72             | 144            | 131              | 31                  | 44               | 5             | 5        | 3000                    | 3000      | 3500    | 4000    | 5000    |
|                             | U300  | 118            | 78             | 155            | 143              | 41                  | 53               | 5             | 5        | 3000                    | 3000      | 3500    | 4000    | 5000    |
|                             | U330  | 130            | 84             | 167            | 154              | 47                  | 59               | 5             | 5        | 3000                    | 3000      | 3500    | 4000    | 5000    |
|                             | U360  | 142            | 90             | 179            | 166              | 53                  | 65               | 5             | 5        | 3000                    | 3000      | 3500    | 4000    | 5000    |
|                             | U400  | 157            | 100            | 195            | 182              | 62                  | 75               | 5             | 5        | 3000                    | 3000      | 3500    | 4000    | 5000    |
|                             | U430  | 169            | 107            | 206            | 194              | 71                  | 84               | 3.5           | 5        | 3000                    | 3000      | 3500    | 4000    | 5000    |
| Full Free-Lift Stage 3 Mast | N400  | 157            | 74             | 195            | 182              | 37                  | 50               | 3.5           | 5        | 3000                    | 3000      | 3500    | 4000    | 5000    |
|                             | N430  | 169            | 78             | 206            | 194              | 41                  | 53               | 3.5           | 5        | 3000                    | 3000      | 3500    | 4000    | 5000    |
|                             | N450  | 177            | 80             | 215            | 202              | 43                  | 55               | 3.5           | 5        | 3000                    | 3000      | 3500    | 4000    | 4779    |
|                             | N470  | 185            | 83             | 222            | 210              | 46                  | 58               | 3.5           | 5        | 2800                    | 2800      | 3400    | 3800    | 4559    |
|                             | N480  | 189            | 84             | 227            | 214              | 47                  | 59               | 3.5           | 5        | 2800                    | 2800      | 3400    | 3800    | 4559    |
|                             | N500  | 197            | 87             | 234            | 221              | 50                  | 62               | 3.5           | 5        | 2600                    | 2600      | 3200    | 3600    | 4338    |
|                             | N550  | 217            | 94             | 254            | 241              | 56                  | 69               | 3.5           | 5        | 2200                    | 2200      | 2800    | 3200    | 3897    |
|                             | N600  | 236            | 102            | 273            | 261              | 64                  | 77               | 3.5           | 5        | 1800                    | 1800      | 2400    | 2800    | 3456    |
|                             | N650  | 256            | 111            | 293            | 280              | 74                  | 87               | 3.5           | 5        | 1400                    | 1400      | 2000    | 2400    | 3015    |
|                             | N700  | 276            | 117            | 313            | 300              | 80                  | 93               | 3.5           | 5        | 1000                    | 1000      | 1600    | 2000    | 2574    |

With sideshifter minus 440lb(200kg),with integral sideshifter minus 220lb(100kg).

