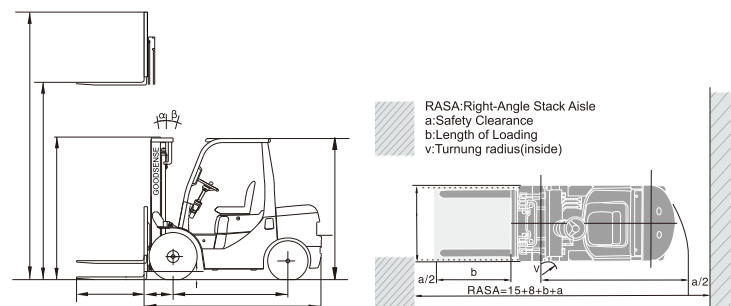
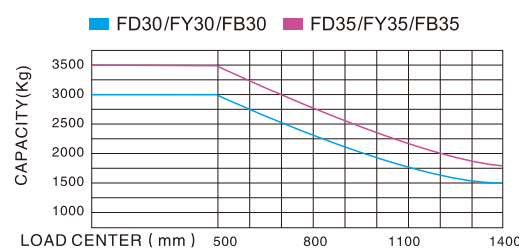


LPG & GASOLINE FORKLIFT 3.0-3.5 TON

General	1	Model		FY30	FY35		
	2	Power Type		LPG&Gasoline	LPG&Gasoline		
3	Rated Capacity		kg	3000	3500		
4	Load Centre		mm	500	500		
Characteristic&Dimension	5	Lift Height		mm	3000	3000	
	6	Fork Size	L×W×T	mm	1070x125x45	1070x125x50	
	7	Mast Tilt Angle	F/R	Deg	6°/12°	6°/12°	
	8	Front Overhang (Wheel center to fork face)		mm	475	480	
	9	Ground Clearance (Bottom of mast)		mm	135	1352	
	10	Overall Dimension	Length to face of fork(Without fork)		mm	2730	700
	11		Overall Width		mm	1225	1225
	12		Mast Lowered Height		mm	2115	2115
	13		Mast Extended Height(With backrest)		mm	4160	4160
	14		Overhead Guard Height		mm	2090	2090
15	Turning Radius (outside)		mm	2440	2480		
16	Min. insecting aisle		mm	2490	2530		
Performance	17	Speed	Travel (Empty load)		km/h	19	19
	18		Lifting(Full load)		mm/s	440	420
	19	Max.Gradeability		%	20	20	
Chassis	20	Tire	Front	mm	28x9-15-12PR	28x9-15-12PR	
	21		Rear	mm	6.50-10-10PR	6.50-10-10PR	
	22	Wheelbase		mm	1700	1700	
	23	Service weight		kg	4300	4500	
Power&Transmission	24	Battery	Voltage/Capacity		V/Ah	12/80	12/80
	25	Engine	Model		K25		
	26		Manufacture		NISSAN		
	27		Rated output/r.p.m.		kw	37.4 / 2300	
	28		Rated torque/r.p.m.		N·m	176.5 / 1600	
	29		No.of Cylinder		4		
	30		Bore×Stroke		mm	89 × 100	
	31	Displacement		cc	2488		
	32	Fuel Tank Capacity		L	60	60	
	33	Transmission	Type		Hydraulic		
	34		Stage	FWD/RVS		1/1	1/1
35	Operating Pressure for Attachment		Mpa	17.5	17.5		


3.0-3.5 TON LPG & GASOLINE FORKLIFT MAST

Type	Model	Lift Height (mm)	Load Capacity (kg)		Overall Height (mm)						Free Lift (mm)				Tilt Angle
			3.0t	3.5t	3.0t		3.5t		3.0t		3.5t				
					Mast Lowered	Mast Extended	Mast Lowered	Mast Extended	Mast Extended With Backrest	Mast Extended Without Backrest	Mast Extended With Backrest	Mast Extended Without Backrest			
Wide view 2-stage mast	M200	2000	3000	3500	1615	3180	2720	1615	3180	2720	-	-	-	-	6/12
	M250	2500	3000	3500	1865	3680	3220	1865	3680	3220	-	-	-	-	6/12
	M300	3000	3000	3500	2115	4180	3720	2115	4180	3720	-	-	-	-	6/12
	M330	3300	3000	3500	2265	4480	4020	2265	4480	4020	-	-	-	-	6/12
	M350	3500	3000	3500	2365	4680	4220	2365	4680	4220	-	-	-	-	6/12
	M370	3700	3000	3500	2465	4880	4420	2465	4880	4420	-	-	-	-	6/12
	M400	4000	2950*3000	3200*3500	2665	5180	4720	2665	5180	4720	-	-	-	-	6/12
	M450	4500	2750*3000	3000*3050	2915	5680	5220	2915	5680	5220	-	-	-	-	6/6
	M500	5000	2400*2500	2500*2850	3165	6180	5720	3165	6180	5720	-	-	-	-	6/6
	M550	5500	2250*2400	2300*2500	3465	6680	6220	3465	6680	6220	-	-	-	-	3/6
Full free 2-stage mast	M600	6000	1500*2200	1800*2300	3715	7180	6720	3715	7180	6720	-	-	-	-	3/6
	Z200	2000	2000	2500	1615	3180	2720	1615	3180	2720	470	930	470	930	6/12
	Z250	2500	2000	2500	1865	3680	3220	1865	3680	3220	720	1180	720	1180	6/12
	Z300	3000	2000	2500	2115	4180	3720	2115	4180	3720	970	1430	970	1430	6/12
	Z330	3300	2000	2500	2265	4480	4020	2265	4480	4020	1120	1580	1120	1580	6/12
	Z350	3500	2000	2500	2365	4680	4220	2365	4680	4220	1220	1680	1220	1680	6/12
	Z370	3700	2000	2500	2465	4880	4420	2465	4880	4420	1320	1780	1320	1780	6/12
	Z400	4000	2000	2500	2665	5180	4720	2665	5180	4720	1520	1980	1520	1980	6/12
Full free 3-stage mast	S370	3700	2000	2500	1870	4875	4420	1870	4875	4420	730	1185	730	1185	6/6
	S400	4000	1900	2400	1970	5175	4720	1970	5175	4720	830	1285	830	1285	6/6
	S435	4350	1850*1900	2200*2400	2085	5525	5070	2085	5525	5070	945	1400	945	1400	6/6
	S450	4500	1750*1800	2150*2300	2135	5675	5240	2135	5675	5240	995	1450	995	1450	6/6
	S480	4800	1700*1800	1950*2300	2235	5975	5520	2235	5975	5520	1095	1550	1095	1550	6/6
	S500	5000	1550*1750	1750*2250	2305	6175	5720	2305	6175	5720	1165	1620	1165	1620	6/6
	S550	5500	1400*1700	1500*2150	2520	6675	6220	2520	6675	6220	1385	1840	1385	1840	3/6
	S600	6000	1500*2100	1650*2200	2685	7175	6720	2685	7175	6720	1555	2010	1555	2010	3/6

LPG & GASOLINE FORKLIFT 3.0-3.5Ton
