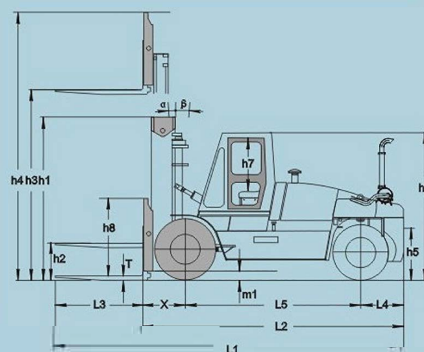
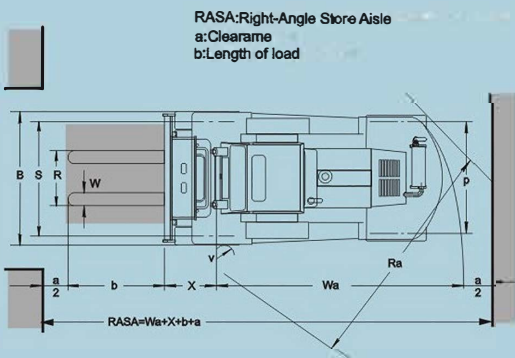


# HELI

# FORKLIFT

CPCD140-460





### WIDE VIEW MAST

Mast name	Max.fork Height (mm)	Height of 2nd mt (mm)	Capacity (kg)			Tilt angle (F/B)	Remarks
			CPCD140	CPCD160	CPCD160(1200)		
M300	3000	3340	14000	16000	16000	6° /12°	
M350	3500	3590	14000	16000	16000	6° /12°	
M400	4000	3840	14000	16000	16000	6° /12°	
M450	4500	4090	14000	16000	16000	6° /12°	
M500	5000	4390	14000	16000	16000	6° /6°	
M550	5500	4640	13000	15000	15000	3° /6°	
M600	6000	4940	12000	14000	14000	3° /6°	
M650	6500	5190	11000	13000	13000	3° /6°	

### CPCD200-CPCD250

### WIDE VIEW MAST

Mast name	Max.fork Height (mm)	Overall height (mm)	Tilt angle (F/B)	Remarks
M400	4000	3995	6° /10°	
M450	4500	4245	6° /10°	
M500	5000	4495	6° /10°	
M550	5500	4745	6° /10°	
M600	6000	4995	6° /10°	
M650	6500	5245	6° /10°	
M700	7000	5495	6° /10°	
M750	7500	5745	6° /10°	
M800	8000	5995	6° /10°	

### CPCD280-CPCD320

### WIDE VIEW MAST

Mast name	Max.fork Height (mm)	Overall height (mm)	Tilt angle (F/B)	Remarks
M400	4000	4120	6° /10°	Standard equipment
M450	4500	4370	6° /10°	
M500	5000	4620	6° /10°	
M550	5500	4870	6° /10°	
M600	6000	5120	6° /10°	
M650	6500	5370	6° /10°	
M700	7000	5620	6° /10°	
M750	7500	5870	6° /10°	
M800	8000	6120	6° /10°	

### CPCD420-CPCD460

### WIDE VIEW MAST

Mast name	Max.fork Height (mm)	Overall Height (mm)	Tilt angle (F/B)	Remarks
M400	4000	4830	6° /10°	Standard equipment
M450	4500	5080	6° /10°	
M500	5000	5330	6° /10°	
M550	5500	5580	6° /10°	
M600	6000	5830	6° /10°	
M650	6500	6080	6° /10°	
M700	7000	6330	6° /10°	
M750	7500	6580	6° /10°	
M800	8000	6830	6° /10°	

Note: Duplex full free mast is optional

**HELI**



SPECIFICATIONS

Model	CPCD140-Cu3	CPCD150-Cu3	CPCD160-Cu3	CPCD160-Cu4	CPCD180-Cu2	CPCD200-VZ-12 II (CPCD200-VZ-12III)	CPCD250-VZ-12 II (CPCD250-VZ-12III)	CPCD280-Vo (CPCD280H-Vo)	CPCD300-Vo (CPCD300H-Vo)	CPCD320-Vo (CPCD320H-Vo)	CPCD420-VD-12III	CPCD460-VD-12III
Overall Height Fork Raised		4840			5840	5995		6120			6830	
Lifting Height		3000			4000	4000		4000			4000	
Overall Height Fork Lowered(Upright)		3340			3840	3995		4120			4830	
Fork Thickness		90				110		112			145	
Overall Length(with Forks)		7410		8380		8782		9200			10370	
Fork Length		1820					2440					
Wheel Base		3650		4000		4250		4650			5500	
Overall Height(Cab)			3260			3875		3930			4220	
Overall Width			2560			3040		3460			4120	
Lateral Fork Adjustment(Outside of Fork)			900-2150			820-2700		920-2850			1250-2850	
Max Side Shift Distance			±312.5			±470		±482.5			±400	
Fork Width				250				300			300	
Min.Turning Radius		4970		5600		5920		6395			7518	

SPECIFICATIONS

Model	CPCD140-Cu3	CPCD150-Cu3	CPCD160-Cu3	CPCD160-Cu4	CPCD180-Cu2	CPCD200-VZ-12 II (CPCD200-VZ-12III)	CPCD250-VZ-12 II (CPCD250-VZ-12III)	CPCD280-Vo (CPCD280H-Vo)	CPCD300-Vo (CPCD300H-Vo)	CPCD320-Vo (CPCD320H-Vo)	CPCD420-VD-12III	CPCD460-VD-12III	
Load Capacity	Kg	14000	15000	16000	18000	20000	25000	28000	30000	32000	42000	46000	
Load Center	mm	900				1200							
Power Type		柴油 Diesel oil											
Wheel (Front/rear) X=Driving Wheel		4X/2											
Tire(Front/Rear)		12.00-24-20PR/12.00-20-20PR				14.00-24-28PR/14.00-24-28PR			16.00-25-32PR/16.00-25-32PR		18.00-25-40PR/18.00-25-40PR		
Internal Combustion Engine		Cummins QSB6.7				VOLVO TAD721VE (VOLVO TAD750VE)				VOLVO TAD952VE			
Internal Combustion Engine Number of Cylinder		6-102X120				6-108X130 (6-108X130)				6-120X138			
Internal Combustion Engine Rate Horsepower	kw/rpm	142/2400				195/2300(181/2300)				252/1900			
Internal Combustion Engine Rate Torque	Nm/rpm	930/1500				900/1400(1050/1500)				1700/1300			
EPA Standards		EPAIII				EPA II				EPAIII			
Transmission Number of Speed (Fwd/Rvs)		3/3				3/3				4/4			